

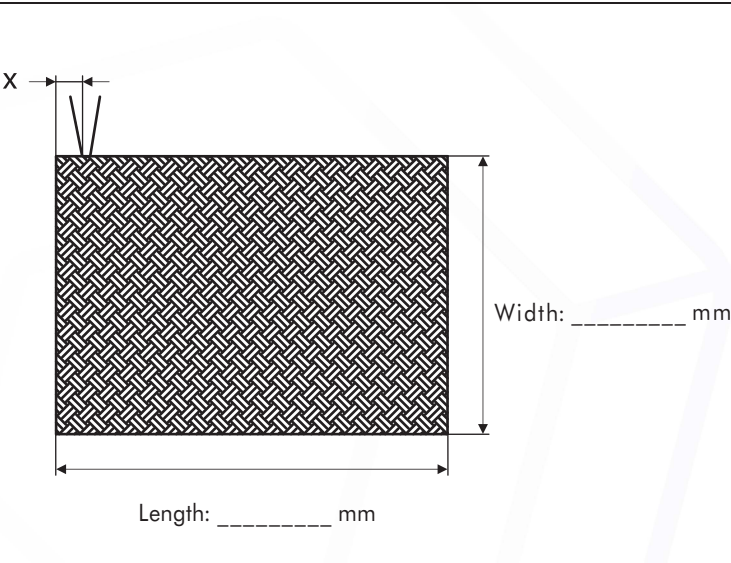
Inquiry

First and last name		E-Mail:	
Company:			
Street and no.:			
Postal code/ ZIP and city:		Country:	
Phone no.:		Mobil no.:	

Quantity and application

Quantity:	Field of application:
	Ambient conditions (e.g. oils, lyes, acids):

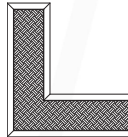
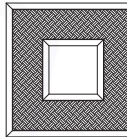
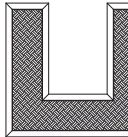
Dimension of surface and position of cable exit



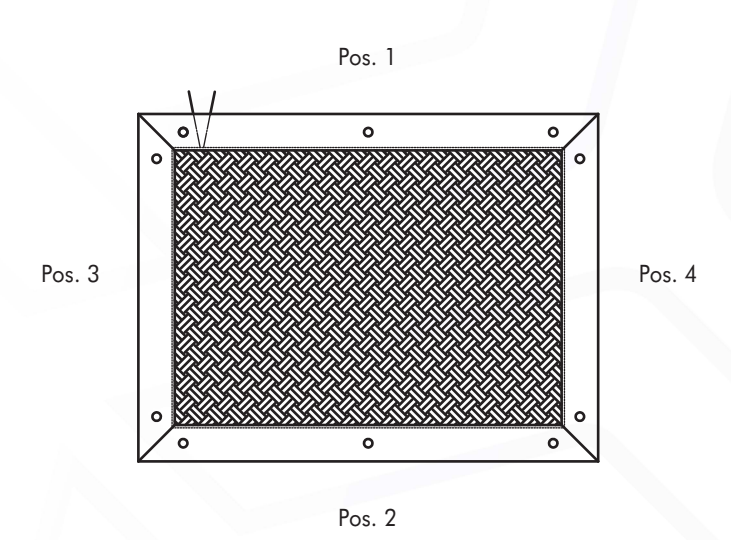
x dimension of cable exit to edge:
50 mm (Standard)
_____ mm (Upon request, surcharge)

cable length:
1.000 mm (Standard)
_____ mm (Upon request, surcharge)

The following special profiles are available:

Choice for mounting



Aluminium ramp trim (R 1):
Width: 65 mm, effective increase in width 61 mm

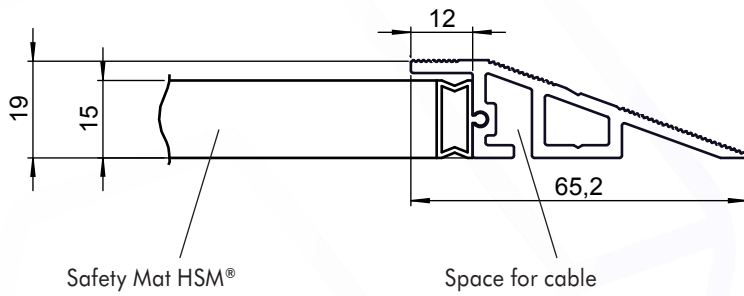
Aluminium ramp trim (R 2):
Width: 89 mm, effective increase in width 84 mm

Aluminium Z trim (Z):
Width: 52 mm, effective increase in width 35,5 mm

	No trim	R1	R2	Z
Pos. 1	<input type="checkbox"/>	<input type="checkbox"/>	<input type="checkbox"/>	<input type="checkbox"/>
Pos. 2	<input type="checkbox"/>	<input type="checkbox"/>	<input type="checkbox"/>	<input type="checkbox"/>
Pos. 3	<input type="checkbox"/>	<input type="checkbox"/>	<input type="checkbox"/>	<input type="checkbox"/>
Pos. 4	<input type="checkbox"/>	<input type="checkbox"/>	<input type="checkbox"/>	<input type="checkbox"/>

If not stated otherwise, fixing holes are dimensioned by us and their number is determined corresponding to the dimensions. Fixing material (screws, dowels, plugs) is supplied with the mat.

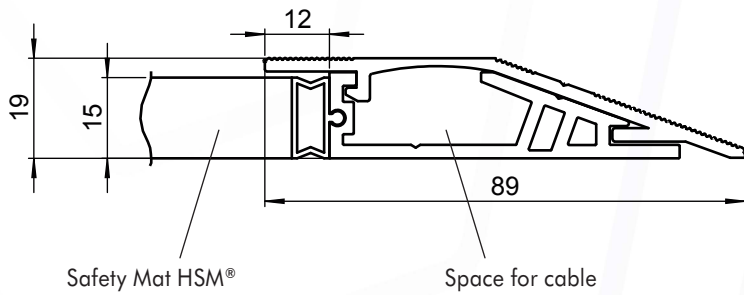
Technical data mounting profiles



Aluminium ramp trim (R 1)

Width: 65 mm, effective increase in width 61 mm

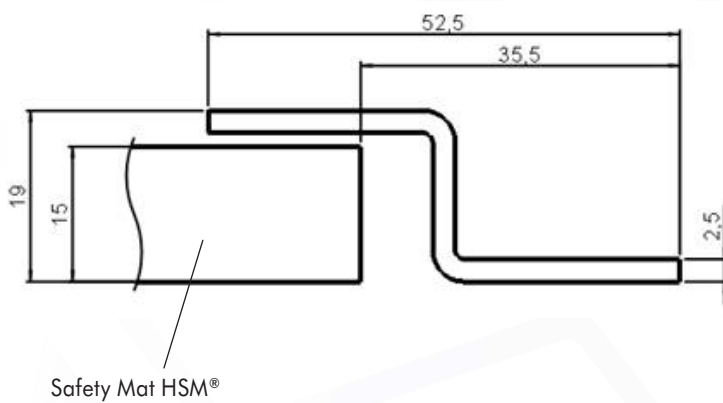
Material: Aluminium



Aluminium ramp trim (R 2)

Width: 89 mm, effective increase in width 84 mm

Material: Aluminium



Aluminium Z trim (Z)

Width: 52,5 mm, effective increase in width 35,5 mm

Material: Aluminium

Additional information

Please describe your safety application. Additional specifications can be named here.

Please note, the following links will only work with the Adobe Acrobat Reader:

If you don't have an Acrobat Reader, you can send us the filled formular as an attachement to the following

E-Mail address: info@sensor.nl