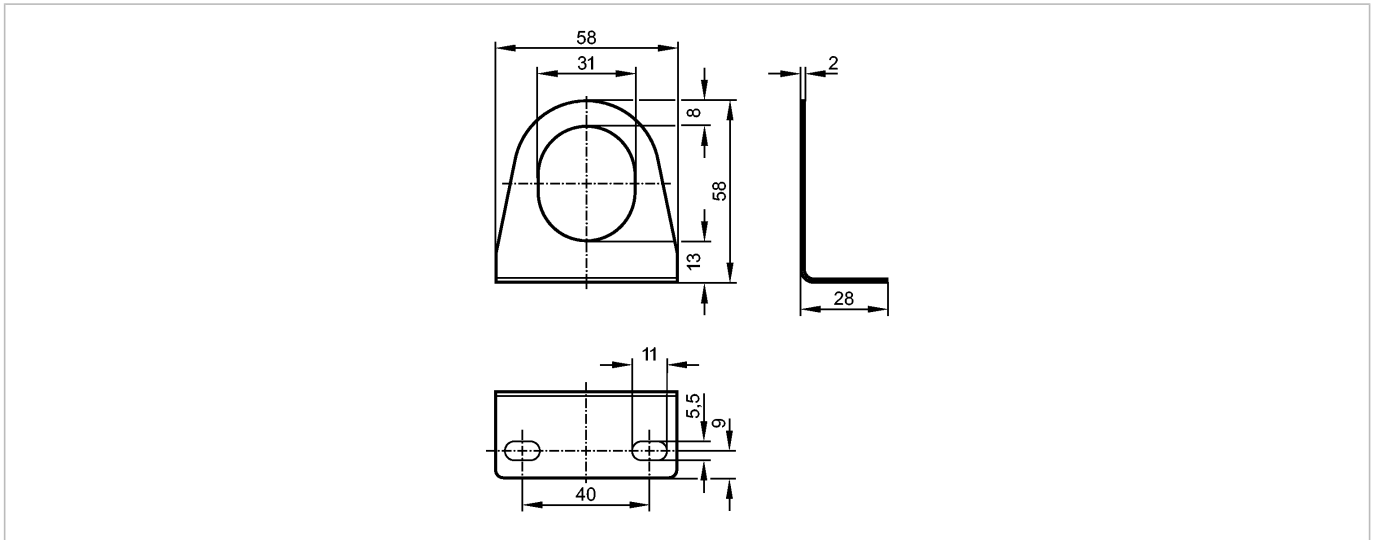


BF-30-04

DATASHEET

Sensor Partners BV
📍 James Wattlaan 15
5151 DP Drunen
The Netherlands
☎ +31 (0)416 - 37 82 39
✉ info@sensorpartners.com
🌐 sensorpartners.com

Sensor Partners BVBA
📍 Z.1 Researchpark 310
B-1731, Zellik
Belgium
☎ +32 (0)2 - 464 96 90
✉ info@sensorpartners.com
🌐 sensorpartners.com



Product characteristics

Angle bracket

Mechanical data

Housing materials stainless steel (304S15)

Weight [kg] 0.066

Accessories

Accessories (included) 2 lock washers (Steel galvanised); Ø 30 mm (for M30 sensor)

Remarks

Pack quantity [piece] 1