

PFK series

DATASHEET

Sensor Partners BV

📍 James Wattlaan 15
5151 DP Drunen
The Netherlands

☎ +31 (0)416 - 37 82 39

✉ info@sensorpartners.com

🌐 sensorpartners.com

Sensor Partners BVBA

📍 Z.1 Researchpark 310
B-1731, Zellik
Belgium

☎ +32 (0)2 - 464 96 90

✉ info@sensorpartners.com

🌐 sensorpartners.com

PFK series

M18 cylindrical inductive sensors
for food and beverage applications

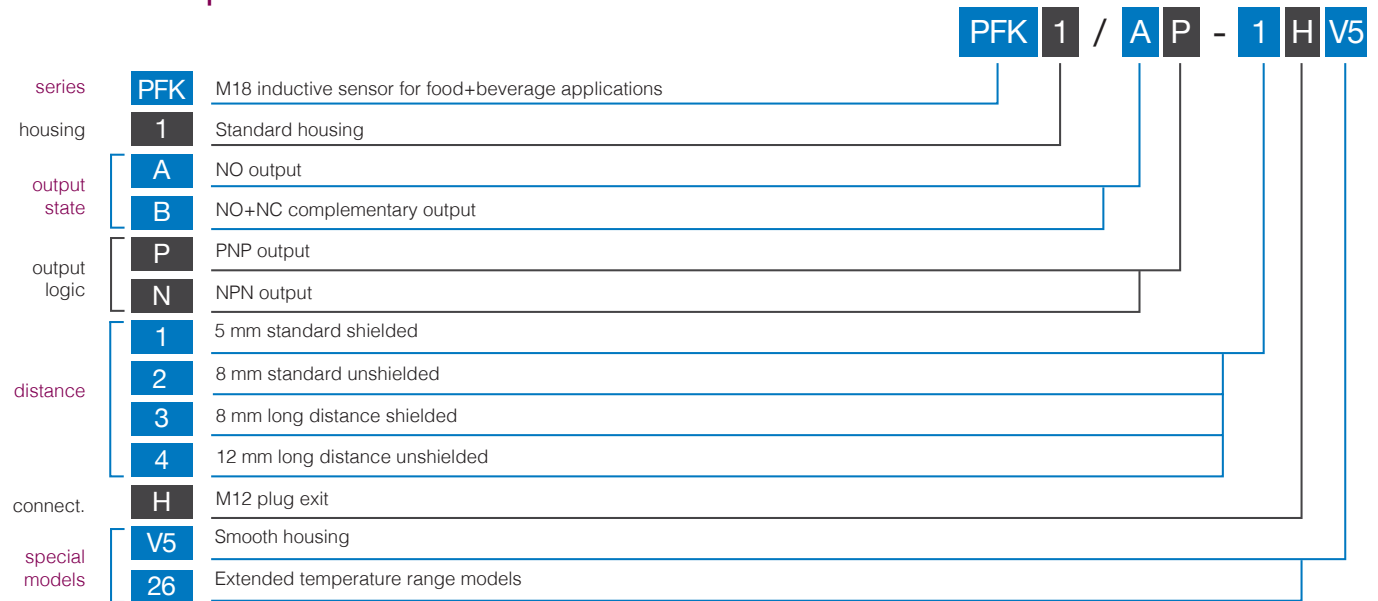


features

- AISI 316L (DIN 1.4404) stainless steel housing
- LED status indicator
- IP67 – IP68 – IP69K protection degree
- ATEX models, cat. 3, available on request
- Complete protection against electrical damages
- Standard and long distance models



code description (*)



(*) ATEX models available, contact our Sales Dept. for further information.

available models

standard models

model	installation	sensing	plug	distance (mm)	NPN/NO	PNP/NO
M18	shielded	standard	M12	5	PFK1/AN-1H	PFK1/AP-1H
	unshielded			8	PFK1/AN-2H	PFK1/AP-2H
	shielded	long distance			PFK1/AN-3H	PFK1/AP-3H
	unshielded			12	PFK1/AN-4H	PFK1/AP-4H

available models

models with complementary output

model	installation	sensing	plug	distance (mm)	NPN/NO+NC	PNP/NO+NC
M8	shielded	standard	M12	5	PFK1/BN-1H	PFK1/BP-1H
	unshielded			8	PFK1/BN-2H	PFK1/BP-2H
	shielded	long distance			PFK1/BN-3H	PFK1/BP-3H
	unshielded			12	PFK1/BN-4H	PFK1/BP-4H

available models

models with extended temperature range

model	installation	sensing	plug	distance (mm)	NPN/NO+NC	PNP/NO+NC
M18	shielded	standard	M18	5	PFK1/BN-1H26	PFK1/BP-1H26
	unshielded			8	PFK1/BN-2H26	PFK1/BP-2H26




correction factors

code	steel FE 360	copper	aluminium	brass	stainless steel
PFK1/**-1*	1	0.25	0.35	0.4	0.7
PFK1/**-2*		0.27		0.42	
PFK1/**-3*		0.2	0.3	0.4	0.65
PFK1/**-4*		0.3	0.38	0.42	

Tolerance ±10%

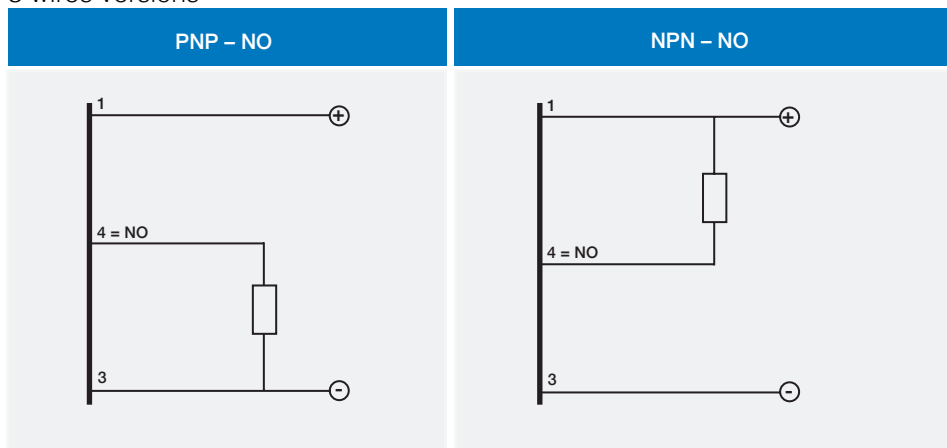
technical specification

according to IEC EN 60947-5-2 / DIN 44030

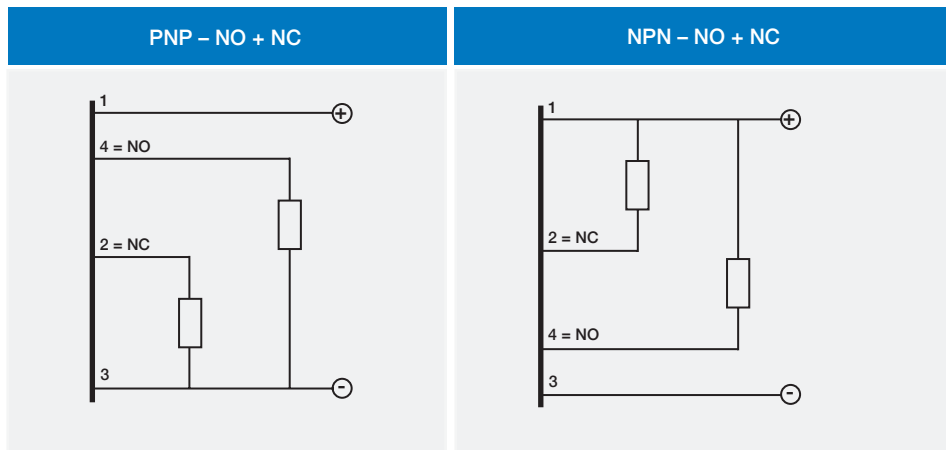
	PFK1/**-1H	PFK1/**-2H	PFK1/**-3H	PFK1/**-4H
				
nominal sensing distance	5 mm	8 mm		12 mm
working distance	0...4 mm	0...6.5 mm		0...9.72 mm
hysteresis		1...20%		
standard target	18x18 mm FE360	24X24 mm FE360		36x36 mm FE360
repeatability		5%		
operating voltage		10...30 Vcc		
max ripple content		≤ 10%		
output type		NPN or PNP - NO + NC or NO		
output current		≤ 200 mA		
output voltage drop		≤ 2 V		
no-load supply current		≤15 mA		
leakage current		≤10 µA		
switching frequency		15 kHz		
power on delay		50 ms		
ambient temperature range	-40...+80 °C short exposure (15') to 100°C (during cleaning processes) / -25°C...+110°C (PFK-26 models)			
temperature drift of Sr		10%		
short-circuit protection		•		
voltage reversal protection		•		
induction protection		•		
shocks and vibration		IEC 60947-5-2 / 7.4		
weight		55 g (40 g smooth housing)		
LEDs		NO output state / (no led PFK-26 models)		
protection degree	IP67, IP68 (1m, 7 days); IP69K (according to DIN 40050 part 9)			
EMC	in conformity with the EMC Directive according to IEC 60947-5-2			
housing material	Stainless Steel AISI316L (DIN 1.4404)			
active head material	PPS (FDA certified)			
connection	M12 plug with gold-plated pins			
tightening torque	50 Nm			

electrical diagrams of connections

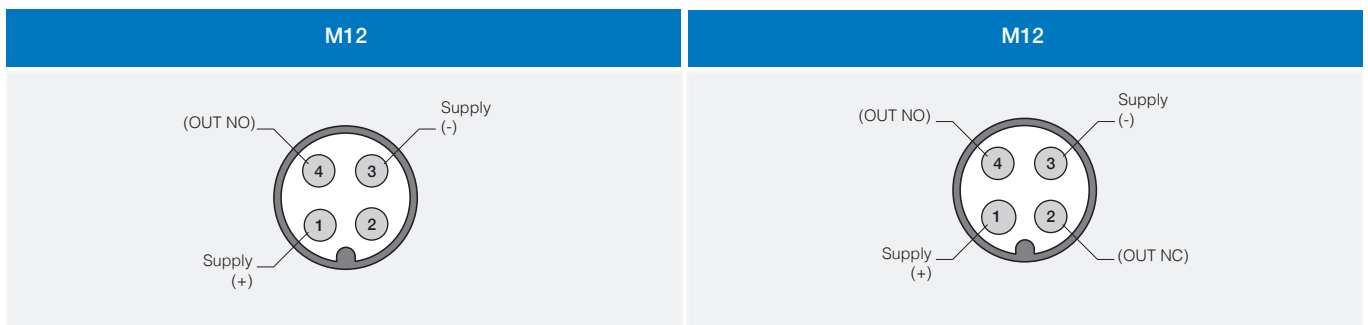
3 wires versions



electrical diagrams of connections



plug

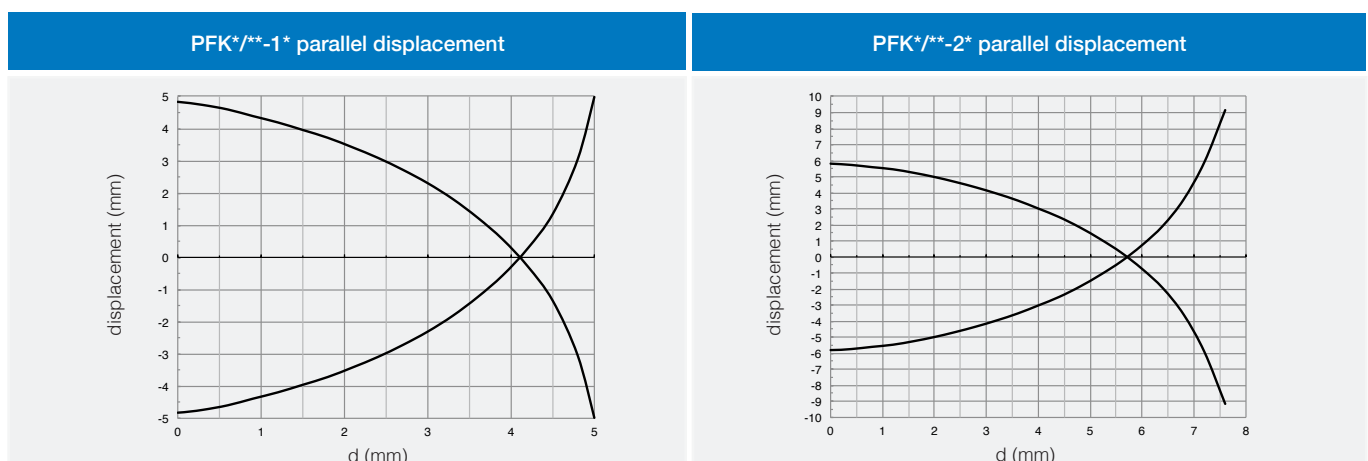


installation

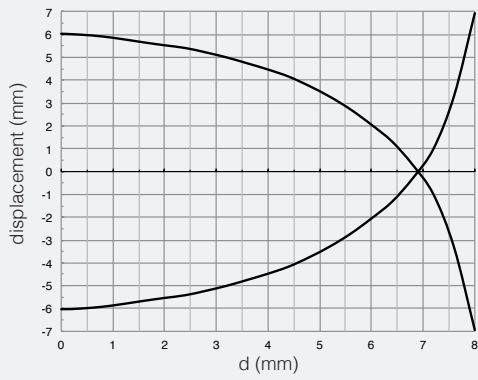
code	D4	D1	D2	D3
PFK1/**-1*	≥ 0.4 mm	≥ 9 mm	≥ 18 mm	≥ 15 mm
PFK1/**-2*	≥ 12 mm	≥ 18 mm	≥ 36 mm	≥ 24 mm
PFK1/**-3*	≥ 1.8 mm ⁽¹⁾	≥ 9 mm	> 19 mm	≥ 24 mm
PFK1/**-4*	≥ 16 mm	≥ 18 mm	> 37 mm	≥ 36 mm

⁽¹⁾ ≥ 3.6 mm for non magnetic material

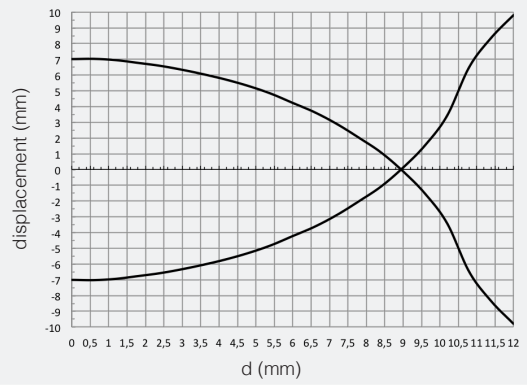
response diagram



PFK^{*}/^{**}-3* parallel displacement

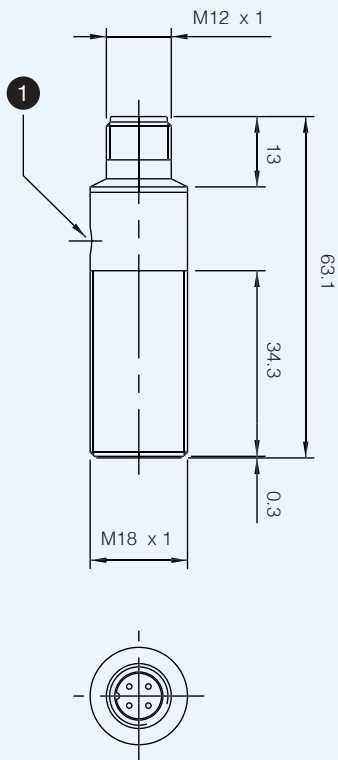


PFK^{*}/^{**}-4* parallel displacement

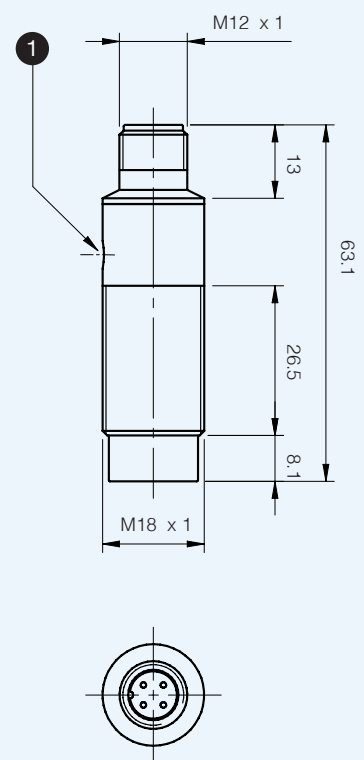


dimensions (mm)

PFK1/^{**}-1H
PFK1/^{**}-3H



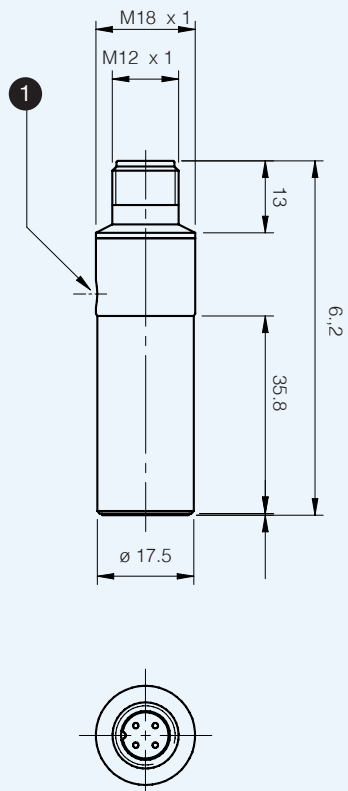
PFK1/^{**}-2H
PFK1/^{**}-4H



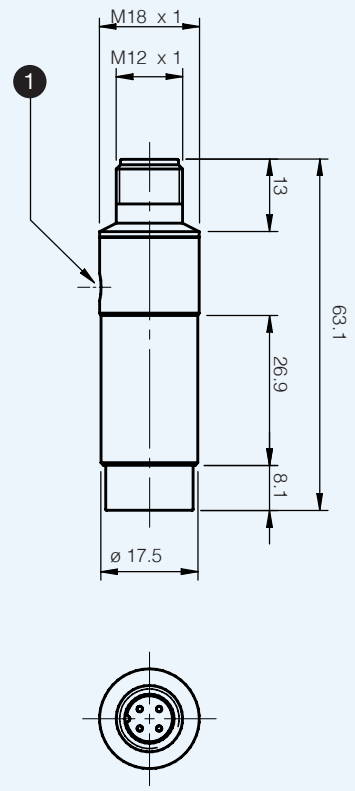
1 LED (no LED in PFK-26 models)

dimensions (mm)

PFK1/**-3HV5



PFK1/**-4HV5



1 LED (no LED in PFK-26 models)

dimensions (mm)

accessories included in all M18 models

