

XT7C40FP262

DATASHEET

Sensor Partners BV

📍 James Wattlaan 15
5151 DP Drunen
The Netherlands

☎ +31 (0)416 - 37 82 39
✉ info@sensorpartners.com
🌐 sensorpartners.com

Sensor Partners BVBA

📍 Z.1 Researchpark 310
B-1731, Zellik
Belgium

☎ +32 (0)2 - 464 96 90
✉ info@sensorpartners.com
🌐 sensorpartners.com

Product datasheet

Characteristics

XT7C40FP262

capacitive sensor - XT7 - 40 x 40 x 117 - plastic -Sn 15 mm -
24..240 V AC



Main

Range of product	OsiSense XT
Sensor type	Capacitive proximity sensor
Product specific application	Detection of insulated materials
Sensor name	XT7
Sensor design	Form 40 x 40 x 117
Size	117 mm
Body type	Plug-in body
Detector flush mounting acceptance	Flush mountable
Material	Plastic
Enclosure material	Plastic
Type of output signal	Discrete
Wiring technique	2-wire
[Sn] nominal sensing distance	15 mm
Discrete output function	1 NO or 1 NC programmable
Output circuit type	AC
Electrical connection	Screw clamp terminal, 3 x 1.5 mm ²
[Us] rated supply voltage	24...240 V AC 50...60 Hz
Maximum delay response	20 ms
IP degree of protection	IP67 conforming to IEC 60529

Complementary

Detection face	5 positions turret head
Differential travel	< 0.2 x Sr
Repeat accuracy	< 0.1 x Sr
Cable entry	1 entry tapped for Pg 13.5 cable gland
Status LED	Supply state indication: 1 LED (green) Output state indication: 1 LED (yellow)
Supply voltage limits	20...264 V AC
Maximum residual current	1.5 mA open state
Switching frequency	<= 25 Hz
Maximum voltage drop	<5.5 V (closed)

Maximum delay first up	150 ms
Maximum delay recovery	30 ms
Maximum switching current	350 mA
Marking	CE
Setting-up	Sensitivity by potentiometer
Depth	40 mm
Height	117 mm
Width	40 mm
Net weight	0.22 kg

Environment

Product certifications	UL CSA
Ambient air temperature for operation	-25...70 °C

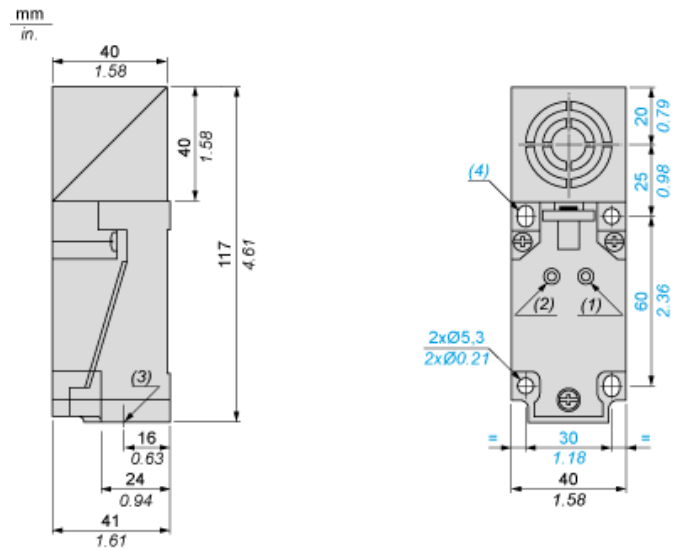
Offer Sustainability

EU RoHS Directive	Pro-active compliance (Product out of EU RoHS legal scope) EU RoHS Declaration
Mercury free	Yes
RoHS exemption information	Yes

Contractual warranty

Warranty	18 months
----------	-----------

Dimensions

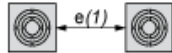


- (1) Output LED
- (2) Supply LED
- (3) 1 tapped entry for 13P cable gland
- (4) 2 elongated holes \varnothing 5.3 x 7

Setting-up

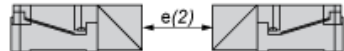
Minimum Mounting Distances (mm)

Side by side



$e(1) \geq 40$

Face to face



$e(2) \geq 120$

Wiring Diagram

2-wire AC Programmable NO or NC Output, Depending on Position of Link

