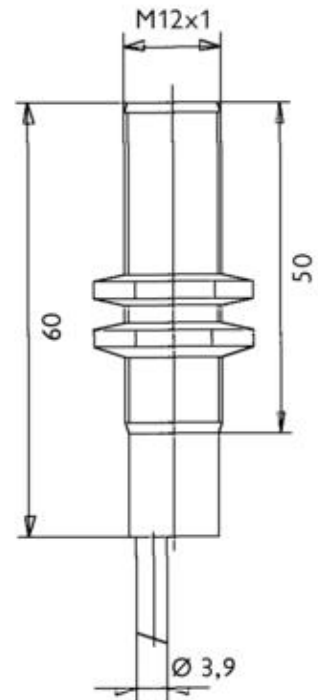


DC - CYLINDRIC
TYP: IB4CT1214 / PNP NO



Configuration:	M12
Fitting:	flush
Sensing Distance Sn (mm):	4,0 mm
Connection:	Cable
Nominal Voltage:	24 VDC
Voltage Range:	10-35 VDC
max. Load Current:	300 mA
No-Load Current:	< 10 mA
Voltage Drop:	< 2 V
Switching Frequency:	500 Hz
Hysteresis:	< 15 % (Sr)
Reproduceability:	< 1 % (Sr)
Temperature Drift:	< 10 % (Sr)
Ambient Temperature:	-25 Å°C ... +70 Å°C
Protection Class:	IP 67
Short Circuit- /Inverse Polarity Protection:	yes
Housing Material:	Brass nickel plates
LED:	yes
Connection:	2 m PVC/3 x 0,25 mm ²
Material Active Surface:	
EMC:	
Shock/Vibration:	



Schönbuch Sensor GmbH & Co KG - Hauffstraße 9 - D-75385 Bad Teinach-Zavelstein
Telefon 07053/92591-00 - Fax 07053/92591-10 - info@schoenbuch-sensor.net