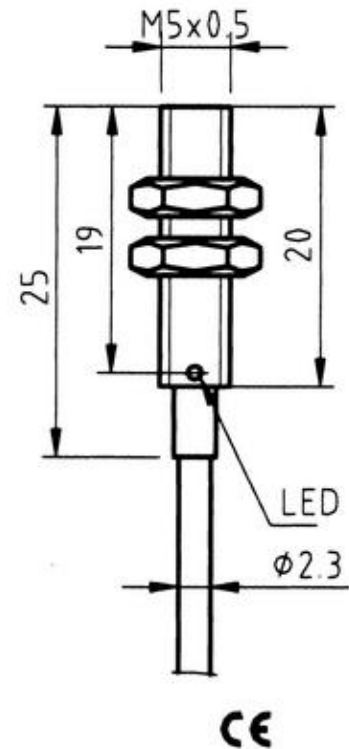


DC - CYLINDRIC
TYP: IBCA0512 / NPN NO



Configuration:	M5
Fitting:	flush
Sensing Distance Sn (mm):	0,8 mm
Connection:	Cable
Nominal Voltage:	24 VDC
Voltage Range:	5-36 VDC
max. Load Current:	200 mA
No-Load Current:	< 10 mA
Voltage Drop:	< 1 V
Switching Frequency:	2 kHz
Hysteresis:	< 15 % (Sr)
Reproduceability:	< 1 % (Sr)
Temperature Drift:	< 10 % (Sr)
Ambient Temperature:	-25 Å°C ... +70 Å°C
Protection Class:	IP 67
Short Circuit- /Inverse Polarity Protection:	yes
Housing Material:	High-grade steel
LED:	yes
Connection:	2 m PUR/3 x 0,15 mm ²
Material Active Surface:	
EMC:	
Shock/Vibration:	



Schönbuch Sensor GmbH & Co KG - Hauffstraße 9 - D-75385 Bad Teinach-Zavelstein
Telefon 07053/92591-00 - Fax 07053/92591-10 - info@schoenbuch-sensor.net