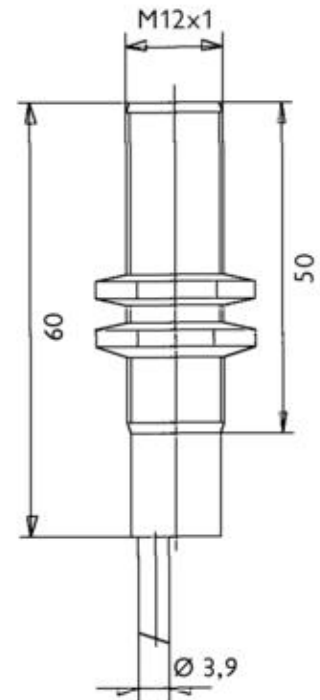


**DC - CYLINDRIC**  
**TYP: IBCT1212 / NPN NO**



<b>Configuration:</b>	M12
<b>Fitting:</b>	flush
<b>Sensing Distance Sn (mm):</b>	2,0 mm
<b>Connection:</b>	Cable
<b>Nominal Voltage:</b>	24 VDC
<b>Voltage Range:</b>	10-35 VDC
<b>max. Load Current:</b>	300 mA
<b>No-Load Current:</b>	< 10 mA
<b>Voltage Drop:</b>	< 2 V
<b>Switching Frequency:</b>	2 kHz
<b>Hysteresis:</b>	< 15 % (Sr)
<b>Reproduceability:</b>	< 1 % (Sr)
<b>Temperature Drift:</b>	< 10 % (Sr)
<b>Ambient Temperature:</b>	-25 Å°C ... +70 Å°C
<b>Protection Class:</b>	IP 67
<b>Short Circuit- /Inverse Polarity Protection:</b>	yes
<b>Housing Material:</b>	Brass nickel plates
<b>LED:</b>	yes
<b>Connection:</b>	2 m PVC/3 x 0,25 mm <sup>2</sup>
<b>Material Active Surface:</b>	
<b>EMC:</b>	
<b>Shock/Vibration:</b>	



Schönbuch Sensor GmbH & Co KG - Hauffstraße 9 - D-75385 Bad Teinach-Zavelstein  
Telefon 07053/92591-00 - Fax 07053/92591-10 - info@schoenbuch-sensor.net