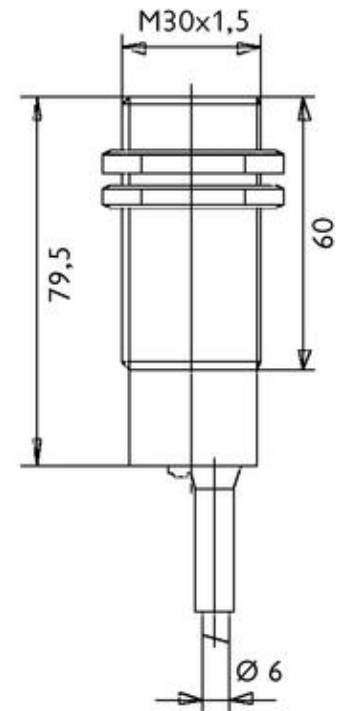


# AC - CYLINDRIC / RECTANGULAR TYP: IBCT3039 / AC NC



<b>Configuration:</b>	M30
<b>Fitting:</b>	flush
<b>Sensing Distance Sn (mm):</b>	10,0 mm
<b>Connection:</b>	Cable
<b>Voltage Range:</b>	20 ... 250 VAC
<b>max. Load Current:</b>	100 mA
<b>No-Load Current:</b>	< 5 mA
<b>min. Load Current:</b>	< 20 mA
<b>Voltage Drop:</b>	< 10 V
<b>Switching Frequency:</b>	25 Hz
<b>Hysteresis:</b>	< 15 %
<b>Reproduceability:</b>	0,01 mm
<b>Temperature Drift:</b>	< 10 % v. Sr
<b>Ambient Temperature:</b>	-25 Å°C ... +70 Å°C
<b>Protection Class:</b>	IP 67
<b>Protection Insulated:</b>	yes
<b>Housing Material:</b>	Brass nickel plates
<b>LED:</b>	yes
<b>Connection:</b>	2 m PVC/2 x 0,5 mm <sup>2</sup>



Schönbuch Sensor GmbH & Co KG - Hauffstraße 9 - D-75385 Bad Teinach-Zavelstein  
Telefon 07053/92591-00 - Fax 07053/92591-10 - info@schoenbuch-sensor.net