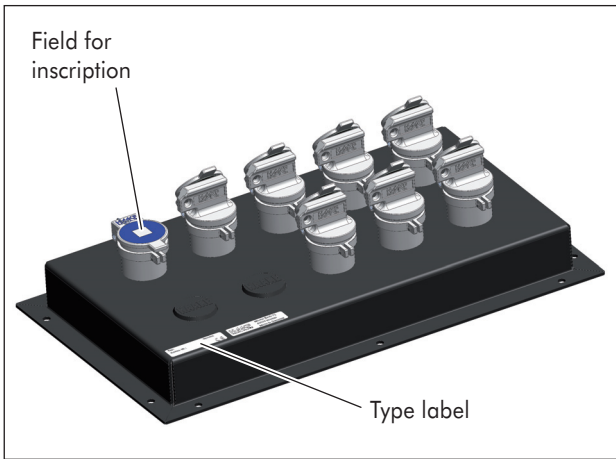


# Key Exchange Station HST-W10



## Technical Data

Environment:	indoors/outdoors
Ambient atmosphere:	industrial
Ambient temperature:	-25 ... +80 °C
Material housing:	sheet steel, black powder-coated
Material lock portions:	stainless steel
Mounting:	10 × M6 stainless steel bolts and if applicable 10 × M6 stainless steel nuts, A2-70 (fasteners not supplied)

## Intended use

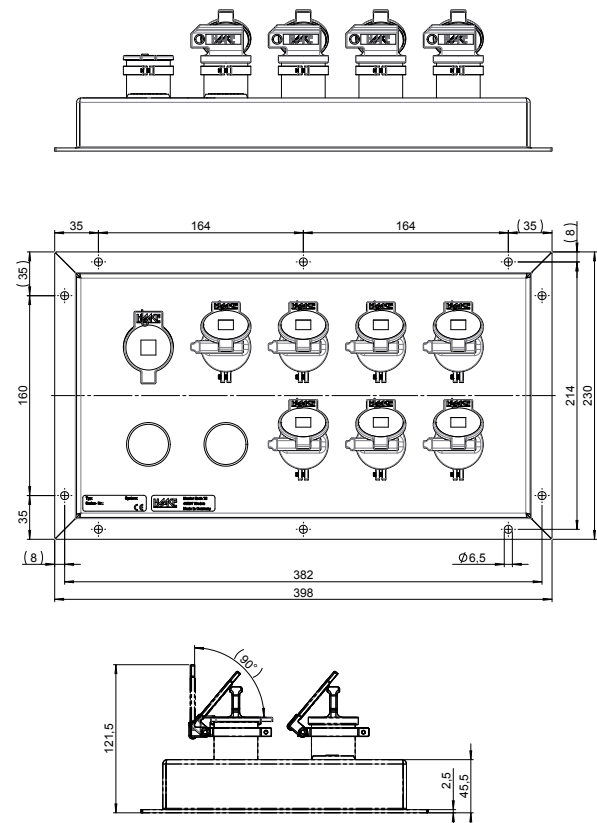
The key exchange station HST-W10 is normally used to safely trap keys of a machine or system.

No secondary keys can be removed from the exchange station until all primary keys have been inserted and trapped. The primary keys remain trapped until all secondary keys have been returned.

In conjunction with other components, the exchange station serves to increase the number of identically coded keys. It is thus the interface between the switch-off components of the system and the interlocks at the guards. It is used in precipitators, steel or power plants, or mines etc.

Configuration  
primary/secondary locks: see page 2

## Dimensions

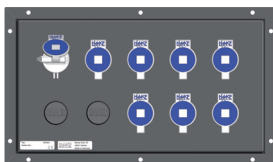


## Functional diagram (Picture shows Ident No. 10372)



Original position before key exchange, secondary key trapped

1 primary lock 7 secondary locks



After key exchange, primary key trapped, secondary keys free and can be removed

(Key not supplied)

All dimensions in mm  
General tolerances to DIN 2768-m

## Configuration primary/secondary locks

Number primary locks	Number secondary locks	
1	5	Ident. No. 10370
1	6	Ident. No. 10371
1	7	Ident. No. 10372
1	8	Ident. No. 10373
1	9	Ident. No. 10374
2	4	Ident. No. 10375
2	5	Ident. No. 10376
2	6	Ident. No. 10377
2	7	Ident. No. 10378
2	8	Ident. No. 10379
3	3	Ident. No. 10380
3	4	Ident. No. 10381
3	5	Ident. No. 10382
3	6	Ident. No. 10383
3	7	Ident. No. 10384
4	2	Ident. No. 10385
4	3	Ident. No. 10386
4	4	Ident. No. 10387
4	5	Ident. No. 10388
4	6	Ident. No. 10389
5	1	Ident. No. 10390
5	2	Ident. No. 10391
5	3	Ident. No. 10392
5	4	Ident. No. 10393
5	5	Ident. No. 10394
6	1	Ident. No. 10395
6	2	Ident. No. 10396
6	3	Ident. No. 10397
6	4	Ident. No. 10398
7	1	Ident. No. 10399
7	2	Ident. No. 10400
7	3	Ident. No. 10401
8	1	Ident. No. 10402
8	2	Ident. No. 10403
9	1	Ident. No. 10404