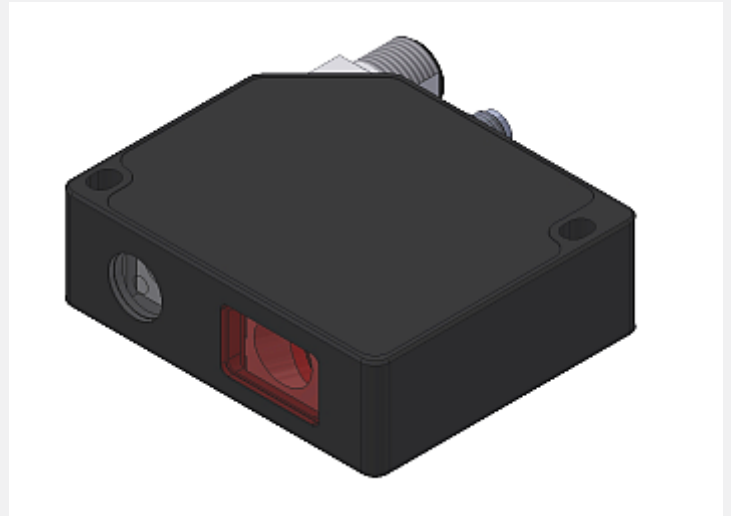


L-LAS Series

► L-LAS-LT-80-SL-...

- Line laser <math><1\text{ mW}</math>, wave length 670 nm, laser class 2
- Type -P: Visible red laser spot, typ. \varnothing 0.3 mm
Type -L: Visible red laser line, typ. 0.3 mm x 3 mm
- Measuring range typ. 80 mm
- Start of measuring range at typ. 40 mm
- Resolution typ. 20 μm
- Interference filter and red light filter integrated
- CMOS line detector with 512 pixel, 4096 subpixel
- RS232 interface (USB or Ethernet adaptor available)
- Windows® user interface
- 2 digital inputs, 2 digital outputs
- 2 analog outputs (voltage 0...+10V and current 4...20mA)
- Scan frequency max. 2 kHz (3.3 kHz)
- Switching state indication via 2 three-color LEDs (red/grn/blu)
- Optics cover made of scratch-resistant glass



Design

Product name:

L-LAS-LT-80-SL-P

L-LAS-LT-80-SL-L

(incl. Windows® PC software L-LAS-PT-Scope)

P = Laser spot (typ. \varnothing 0.3 mm)
L = Laser line (typ. 0.3 mm x 3 mm)

8-pole connector
Binder Series 713/763
(connection to PLC)

Connecting cable:
cab-M12/8-g-...-shd

Angled connector
rotatable by 180°

4-pole fem. conn.
Binder Series 707
(RS232 interface)

Connecting cable:
cab-las4/PC or
cab-4/USB or
cab-4/ETH

TEACH/RESET
button for norm
value teaching
or for reset of
maximum values

LED green for
power indication

Mounting holes

Transmitter
optics

Receiver
optics

Sturdy aluminium
housing, anodized
in black

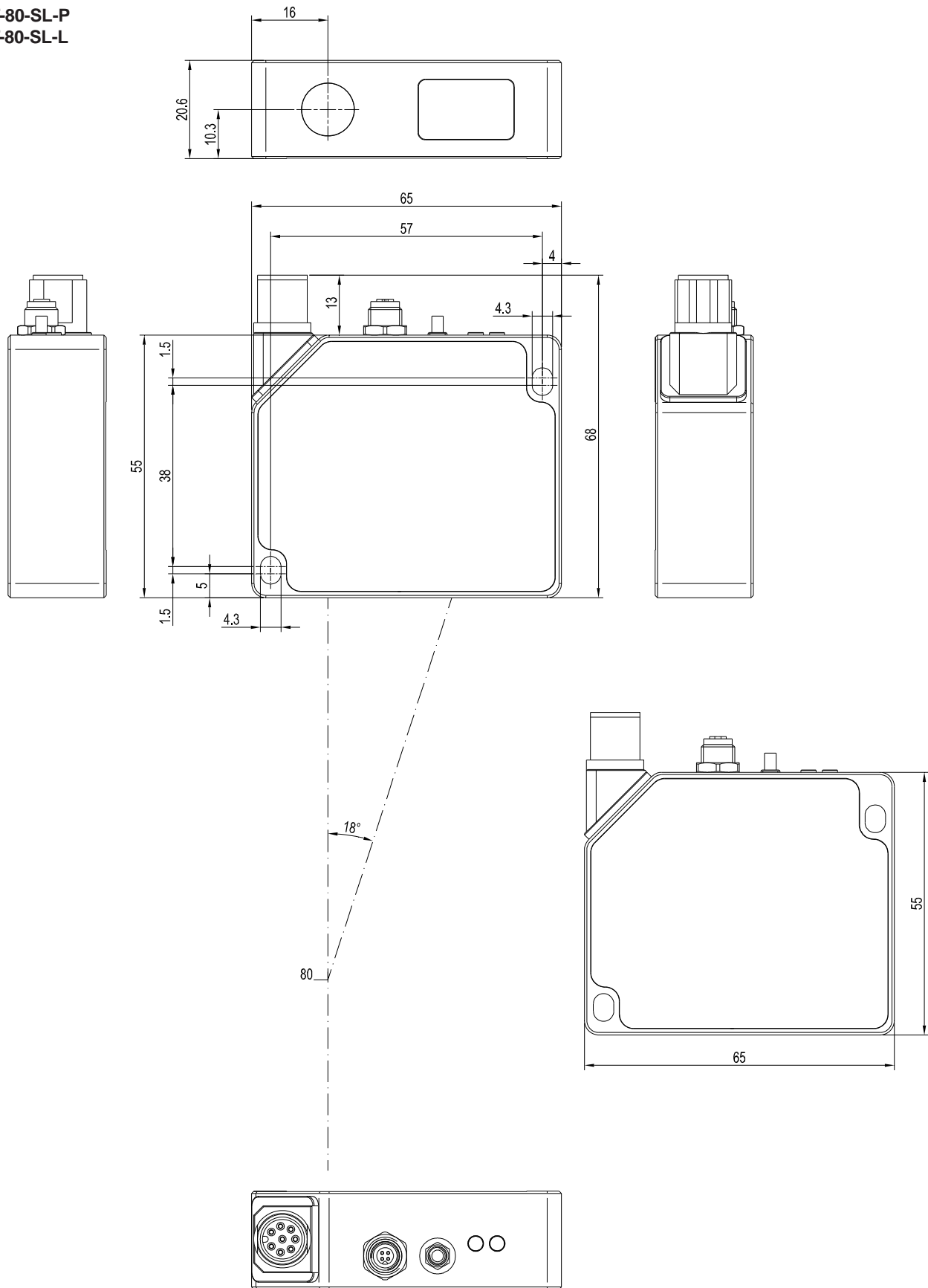


Technical Data

Model	L-LAS-LT-80-SL-P	L-LAS-LT-80-SL-L
Light source	Semiconductor laser, 670 nm, DC-operation, 1 mW max. opt. power, laser class 2 acc. to DIN EN 60825-1. The use of these laser sensors therefore requires no additional protective measures.	
Measuring range	typ. 80 mm	
Start of measuring range	typ. 40 mm (measured from housing edge, cf. picture beam path)	
End of measuring range	typ. 120 mm (measured from housing edge, cf. picture beam path)	
Resolution	typ. 20 µm	
Reproducibility	typ. ± 20 µm	
Linearity	≤ 0.25% of full scale output (FSO)	
Laser line geometry	typ. Ø 0.3 mm	typ. 0.3 mm x 3 mm
Optical filter	Interference filter, red light filter RG630	
Analog output (ANA)	1x current output: I-OUT (4 ... 20mA) 1x voltage output: ANA (0 ... +10V)	
Digital outputs (OUT0, OUT1)	OUT0: (-) Measuring value < lower tolerance threshold OUT1: (+) Measuring value > upper tolerance threshold pnp bright-switching/npn dark-switching or pnp dark-switching/npn bright-switching, adjustable under Windows®, 100 mA, short-circuit proof	
Digital inputs (IN0, IN1)	IN0: External trigger, IN1: Teach/Reset (double function) Input voltage +Ub/0V, with protective circuit	
Voltage supply	+24VDC (± 10%)	
Sensitivity setting	adjustable under Windows® via PC	
Laser power correction	adjustable under Windows® via PC	
Current consumption	typ. 200 mA	
Enclosure rating	Electronics: IP54, optics: IP67	
Temperature stability	0.01% of measuring range/°C	
Temperature ranges	operating temperature range: -10°C ... +50°C storage temperature range: -20°C ... +85°C	
Housing material	Aluminum, anodized in black	
Housing dimensions	LxWxH approx. 65 mm x 55 mm x 20.6 mm (without connectors)	
Type of connector	8-pole circular connector type Binder 713/763 (PLC/Power) 4-pole circular fem. connector type Binder 707 (PC/RS232)	
Connecting cable	to PLC: cab-M12/8-g-...-shd to PC/RS232 interface: cab-las4/PC or cab-las4/PC-w to PC/USB interface: cab-4/USB or cab-4/USB-w to PC/Ethernet interface: cab-4/ETH	
LED indication (4x two-color LED)	1x three-color LED red/green/blue for tolerance band monitoring: red = Measuring value out of tolerance window green (ok) = Measuring value within tolerance window white = Measuring value out of measuring range 1x three-color LED red/green/blue (Power indication): green = Power	
Teach/reset button	for norm value teaching or for reset of maximum values via input IN1	
EMC test acc. to	DIN EN 60947-5-2	
Measuring frequency	max. 2 kHz (3.3 kHz)	
Max. switching current	100 mA, short-circuit proof	
Interface	RS232, parameterisable under Windows®	
Output polarity	Bright-/dark-switching, can be switched under Windows®	

Dimensions

L-LAS-LT-80-SL-P
L-LAS-LT-80-SL-L

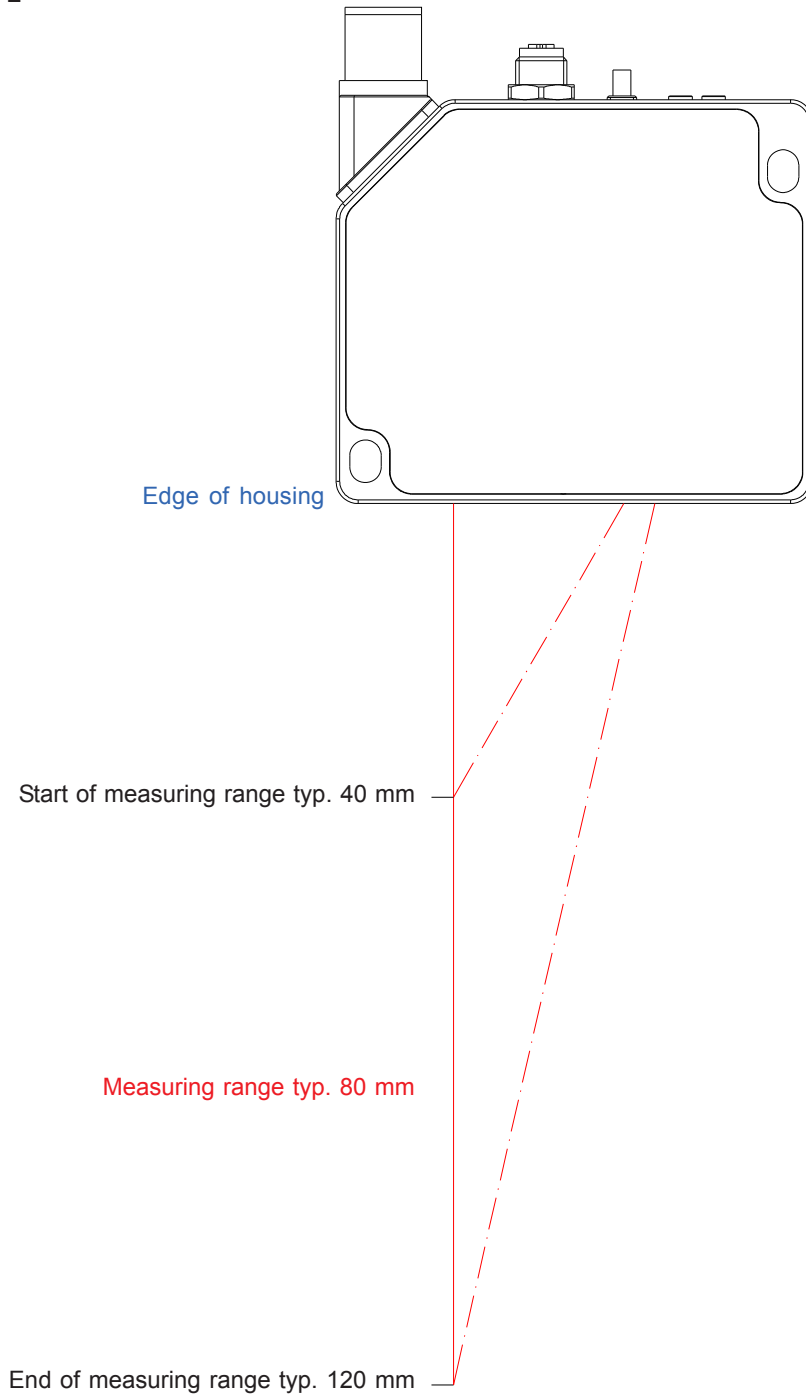


All dimensions in mm



Beam Path

L-LAS-LT-80-SL-P
L-LAS-LT-80-SL-L



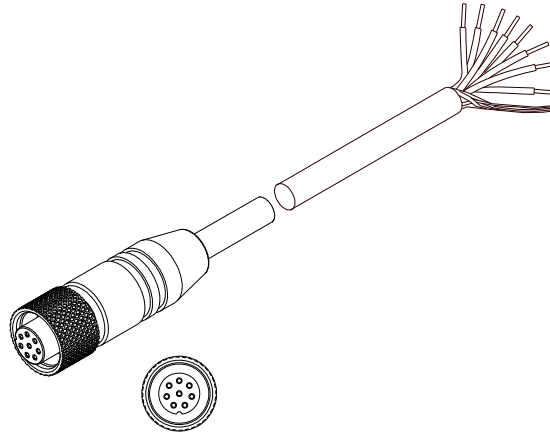


Connector Assignment

**Connection to PLC:
8-pole M12 connector Binder Series 713/763**

Pin:	Color:	Assignment:
1	white	OUT1
2	brown	+24VDC ($\pm 10\%$)
3	green	I-OUT (4...20mA)
4	yellow	IN1 (TEACH / RESET)
5	grey	OUT0
6	pink	ANA (0...+10V)
7	blue	GND (0V)
8	red	IN0 (EXT TRIGGER)

Connecting cable:
cab-M12/8-g-(length)-shd (shielded)
(standard length 2m)



cab-M12/8-g-...-shd
(max. length 5m, outer jacket: PUR)

**Connection to PC:
4-pole fem. connector Binder Series 707**

Pin:	Assignment:
1	+24VDC (+Ub, OUT)
2	GND (0V)
3	RxD
4	TxD

Connection via RS232 interface at the PC:

Connecting cable:
cab-las4/PC-(length)
cab-las4/PC-w-(length) (angle type 90°)
(standard length 2m)

alternative:

Connection via USB interface at the PC:

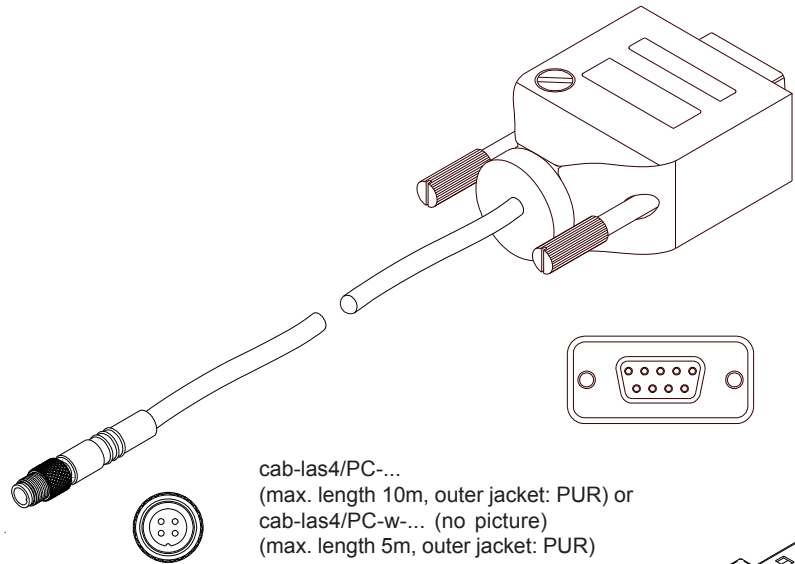
Connecting cable (incl. driver software):
cab-4/USB-(length)
cab-4/USB-w-(length) (angle type 90°)
(standard length 2m)

alternative:

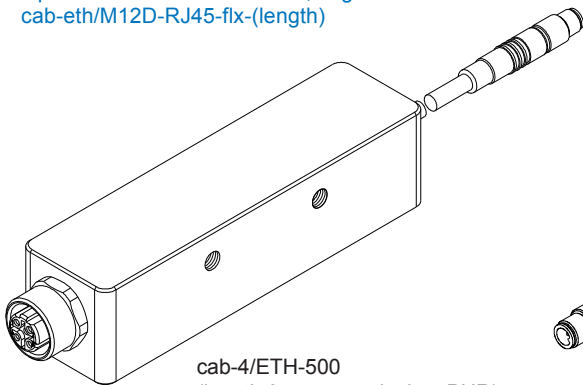
Connection to local network via Ethernet bus:

Adapter (incl. software „SensorFinder“):
cab-4/ETH-500
(standard length 0.5m)

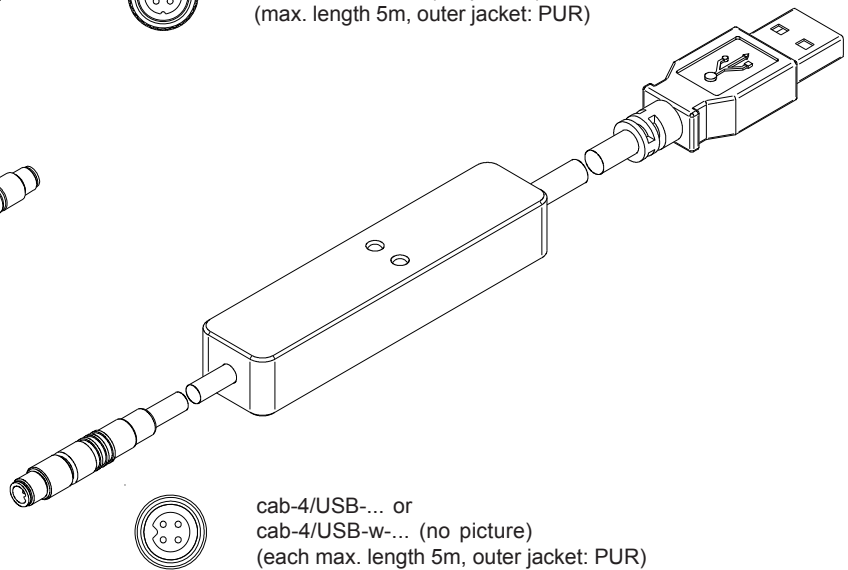
Optional: External CAT5 cable, e.g.
cab-eth/M12D-RJ45-flx-(length)



cab-las4/PC-...
(max. length 10m, outer jacket: PUR) or
cab-las4/PC-w-... (no picture)
(max. length 5m, outer jacket: PUR)



cab-4/ETH-500
(length 0.5m, outer jacket: PUR)
4-pole M12 fem. conn. (D-coded)
for connection of an external
CAT5 cable, e.g.
cab-eth/M12D-RJ45-flx-(length)

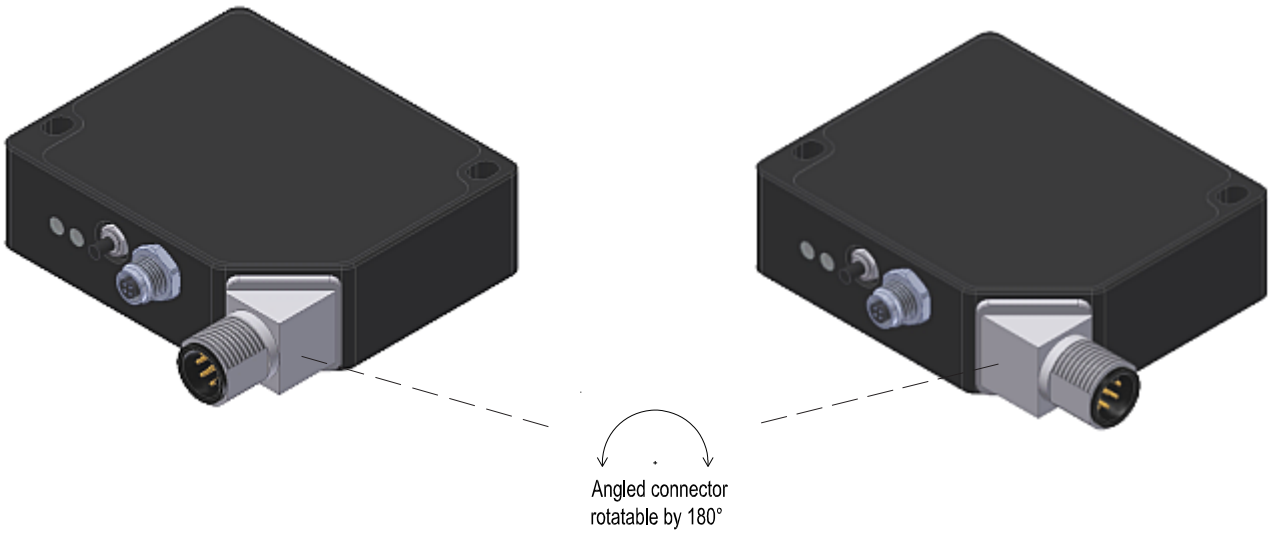


cab-4/USB-... or
cab-4/USB-w-... (no picture)
(each max. length 5m, outer jacket: PUR)



Angled Connector

Angled connector rotatable by 180°:



LED Display

LED display:

(power) ●● (tolerance band monitoring)

LED red/grn/blu: ●
green = power

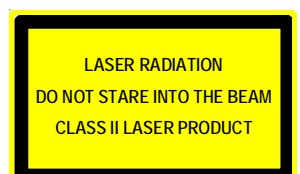
LED red/grn/blu: ●●○
red = measuring value out of tolerance window
green = measuring value within tolerance window
white = measuring value out of measuring range



Laser Warning

The laser line sensors of L-LAS-LT Series comply with laser class 2 according to EN 60825-1. The use of these laser transmitters therefore requires no additional protective measures.

The laser line sensors of L-LAS-LT Series are supplied with a laser warning label.

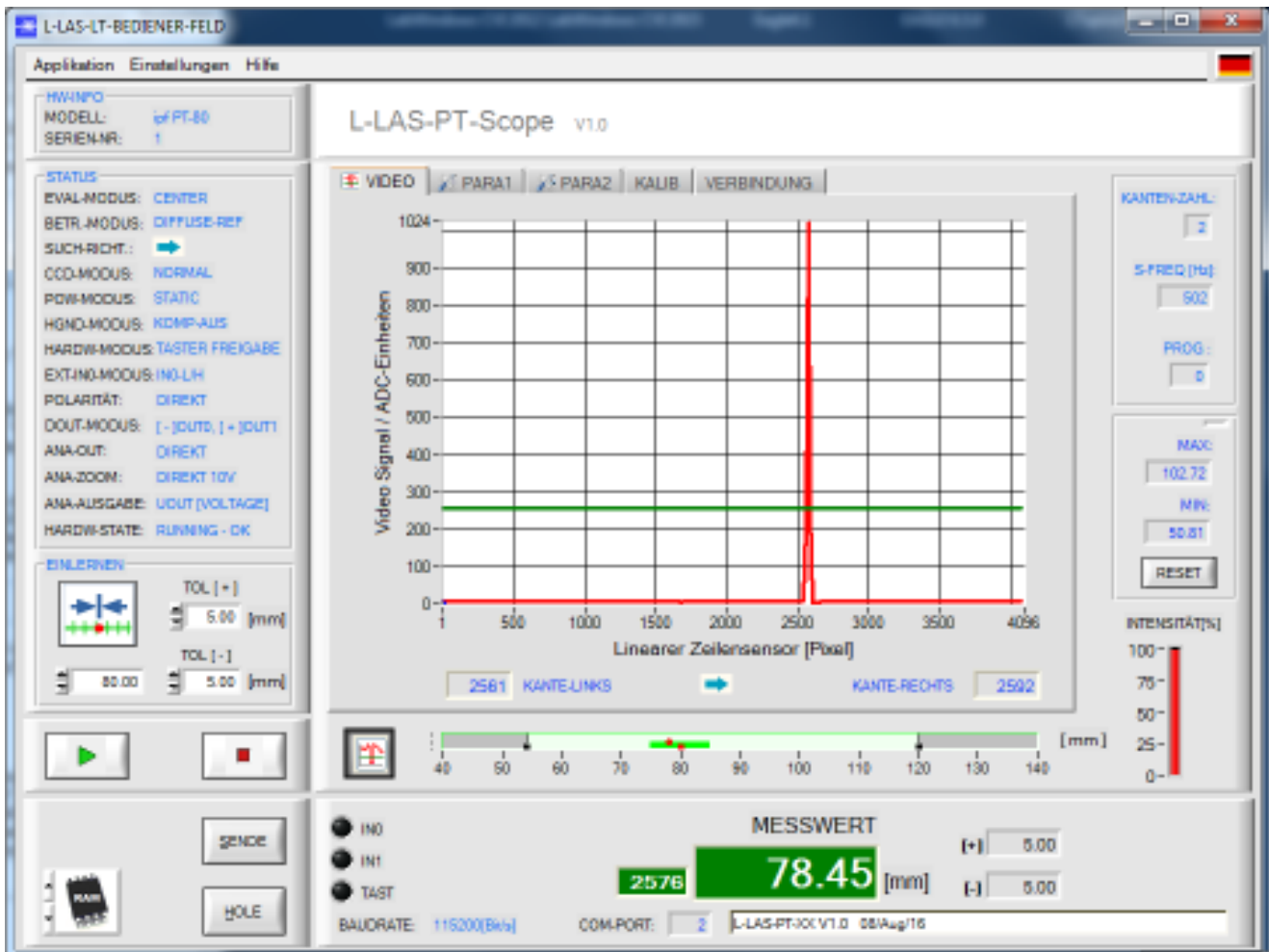




Parametrisierung
Windows®-Bedienoberfläche:

(Die aktuelle Softwareversion steht auf unserer Webseite zum Download bereit.)

Mit Hilfe der Windows®-Bedienoberfläche L-LAS-PT-Scope kann der L-LAS-LT-SL Sensor sehr einfach parametrisiert werden. Zu diesem Zweck wird der Sensor über das serielle Schnittstellenkabel cab-las4/PC (bzw. cab-4/USB oder cab-4/ETH) mit dem PC verbunden. Nach erfolgter Parametrisierung kann der PC wieder abgetrennt werden.



Folgende Einstellungen können mit Hilfe der L-LAS-PT-Scope Software am Sensor vorgenommen werden:

- Einstellung der Laserleistung und Art der Leistungsnachregelung
- Polarität der Digitalausgänge
- Verschiedene Auswertemodi
- Auslösen des Teachvorgangs durch Softwaretaste
- Einstellung der Toleranzgrenzen für die Überwachung des Messwertes

Desweiteren können mit Hilfe der L-LAS-PT-Scope Software verschiedene numerische und graphische Messgrößen visualisiert werden. So können die Rohdaten des CMOS-Zeilensensors graphisch und numerisch dargestellt werden.