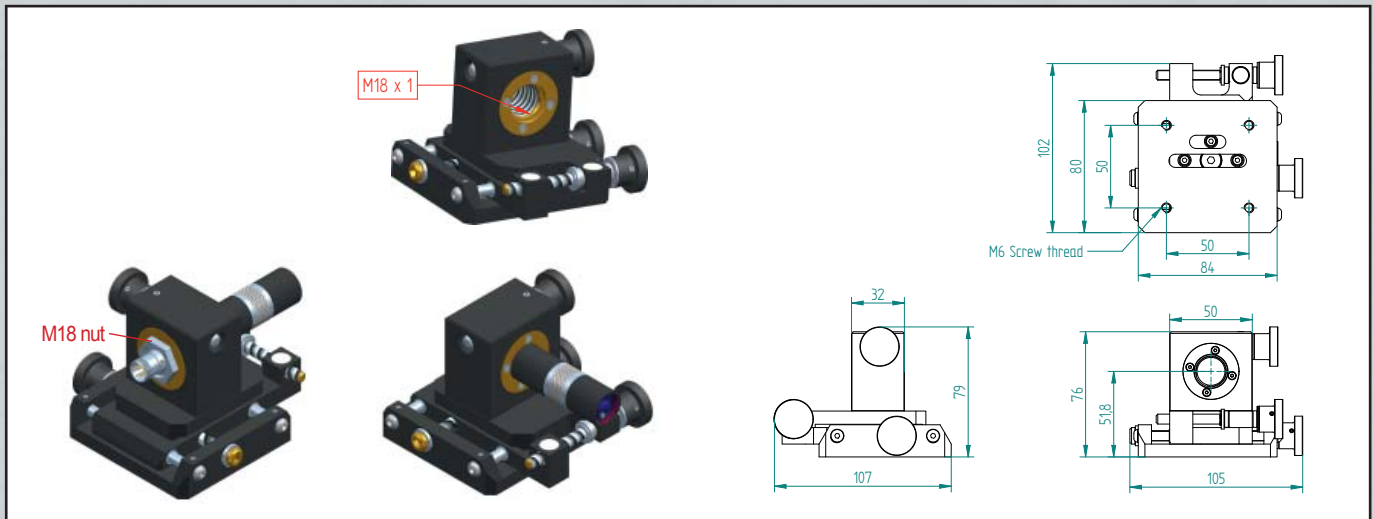


## WXYZ-M18 Precision mount for ZM18 lasers with M18 thread

- Aluminium mount for all ZM18 lasers
- coaxially pivotable, 360°
- angle adjustable up to 20°
- parallelly shiftable up to 20mm
- maintenance-free
- free of play
- self-locking



### General specifications

Housing: 105mm x 107mm x 79mm (L, W, H)

Material: Anodised aluminium

Special feature: The mount can be adjusted in 3 axes.  
No tools are necessary for alignment setup.

More feature: The base plate of the mount has 4 threaded holes, through which the mount can be installed.  
For best fixation of the laser, attaching a M18 nut in the front and rear is recommended.

Technical data:	Symbol	Unit	Min	Typ	Max
Length	l	mm	104,5	105	105,5
Width	w	mm	106,5	107	107,5
Height	h	mm	78,5	79	79,5

Axial angle	$\alpha$	°		360	
Parallel adjustment	x	mm		+/- 9	
Tilting angle	$\varphi$	°		+/- 8	

Positioning accuracy angle		mrad		0,5	
Positioning accuracy parallel		mm		0,1	
Position accuracy		mrad		0,5	