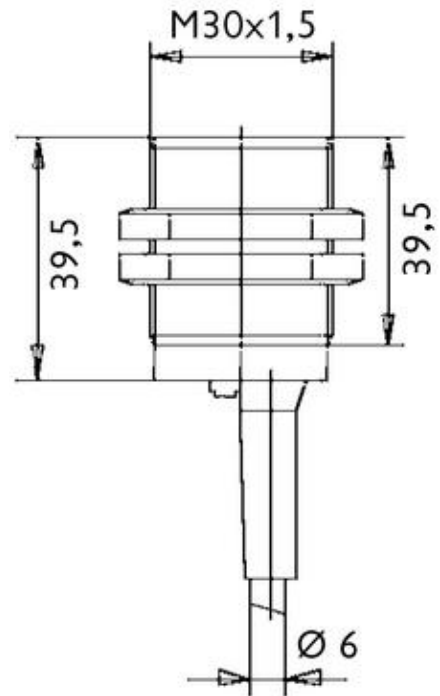


DC - NAMUR
TYP: IBAT3008 / NAMUAR AUSGANG



Configuration:	M30
Fitting:	flush
Sensing Distance S_n (mm):	10,0 mm
Connection:	Cable
Distinctive Feature:	NAMUR, nach DIN 19234
Voltage Range at $R_i = 1k\Omega$:	7,7...9 VDC
Active Surface Covered:	$I < 0,8 \text{ mA}$
Active Surface Uncovered:	$< 2,5 \text{ mA}$
Particular Inductivity:	$< 100 \text{ } \mu\text{H}$
Particular Capacity:	$< 100 \text{ nF}$
Switching Frequency:	500 Hz
Reproduceability:	0,01 mm
Temperature Drift:	$< 10 \%$
Ambient Temperature:	$-25 \text{ } ^\circ\text{C} \dots +60 \text{ } ^\circ\text{C}$
Protection Class:	IP 67
Housing Material:	MS-vernickelt
Connection:	2 m/2 x 0,25 mm ²
Sensing Distance S_r on Regular Measuring Banner at 1,65 mA:	30 x 30 x 1 mm



Schönbuch Sensor GmbH & Co KG - Hauffstraße 9 - D-75385 Bad Teinach-Zavelstein
Telefon 07053/92591-00 - Fax 07053/92591-10 - info@schoenbuch-sensor.net