



CQ50

DATASHEET



Sensor Partners BV

James Wattlaan 15
5151 DP Drunen
Nederland

☎ +31 (0)416 - 378239

✉ info@sensorpartners.com

🌐 sensorpartners.com

BTW NL807226841B01

BANK NL93HAND0784527083

KVK 18128491



sensorpartners.com

CQ50 series

7 x 30 x 50 mm cubic
capacitive sensors

features

- DC supply voltage
- No adjustable sensitivity
- Flat polycarbonate plastic housing



CE

code description



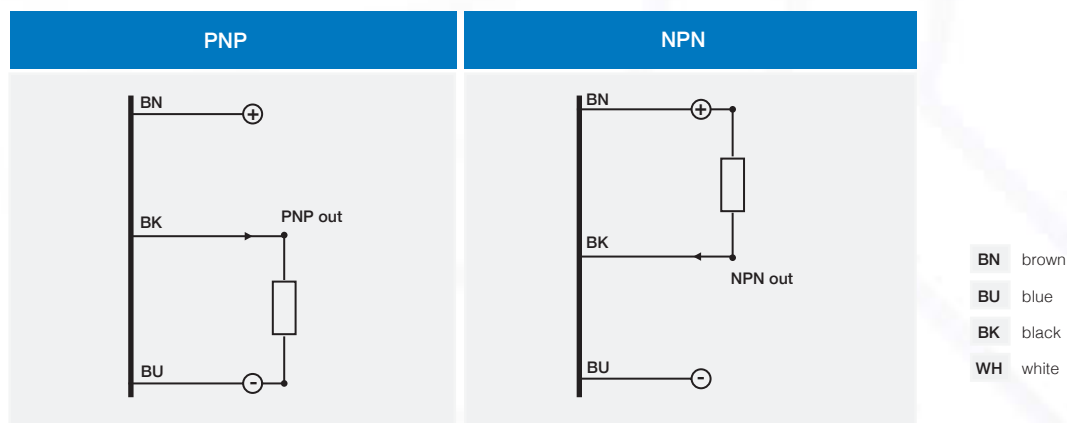
available models

supply	distance (mm)	connection	NPN NC	NPN NO	PNP NO
5 Vcc	5	2 m cable	-	CQ50/AN-1A	-
10...30 Vcc	6		-	CQ50/AN-2A	-
	7		CQ50/CN-3A	-	CQ50/AP-3A
	10		CQ50/CN-4A	-	CQ50/AP-4A

technical specification

	CQ50/**-1A	CQ50/**-2A	CQ50/**-3A	CQ50/**-4A
nominal sensing distance Sn	5 mm	6 mm	7 mm	10 mm
hysteresis	≤ 20%			
repeatability	5%			
operating voltage	5 Vcc	10 ... 30 Vcc		
max ripple content	≤ 10 %			
no-Load supply current	≤ 10 mA			
load current	≤ 50 mA			
leakage current	≤ 100 µA			
output voltage drop Ud	1..5 V max @ IL= 50 mA			
output type	NPN or PNP - NO or NC			
switching frequency	10 Hz			
power on delay	≤ 100 ms			
power supply protections	polarity reversal, impulsive overvoltage			
output protection	autoreset short circuit, overvoltage			
sensitivity adjustment	-			
storage temperature	≤ 20%			
operating temperature range	0 ...+ 60° C (without freeze)			
temperature drift	-30 ...+ 75° C			
EMC	in conformity with the EMC Directive, according to EN 60947-5-2			
protection degree	IP67 (EN 60529) NEMA 1,3,4,6,13			
housing material	noryl			
active head material	noryl			
weight	70 g			

electrical diagrams of connections



dimensions (mm)

CQ50/**-*A

