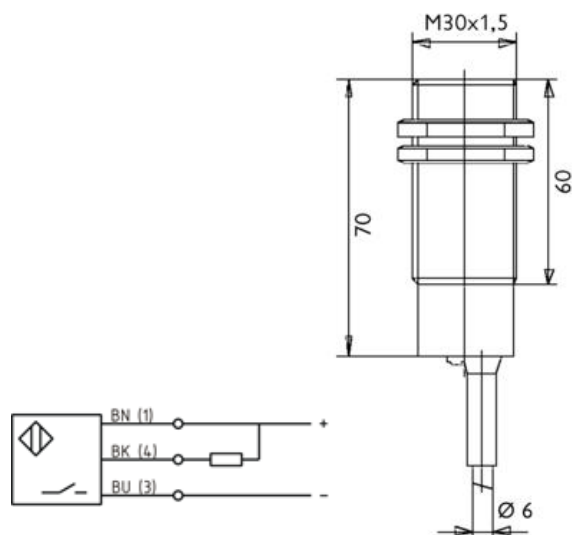


Inductive Proximity Sensors

IBAC3014

M30 (PNP NO) 180°C



Connection type:	cable, Amplifier set externally (sensor outlet 3m/ amplifier outlet 2m)
Outlet:	PNP/NO
Design:	M30
Diameter:	M30x1
Installation type:	flush
Short protection:	yes
Length:	70 mm
No-load current:	15 mA
Nominal voltage:	24 VDC
Reproducibility:	1%
Switching distance:	5mm
Switching frequency:	200 Hz
Switching hysteresis:	15%
Protection class:	IP 67
Voltage drop:	2,5 V
Voltage type:	VDC
Voltage range:	10-30 V
Ampacity:	120 mA
Temperature drift:	10°C
Environment temperature:	-25 ... +180°C
Material:	stainless steel

Sensor Partners BV

James Wattlaan 15
5151 DP Drunen
The Netherlands
+31 (0)416 - 37 82 39
info@sensorpartners.com
sensorpartners.com

Sensor Partners BVBA

Z.1 Researchpark 310
B-1731, Zellik
Belgium
+32 (0)2 - 464 96 90
info@sensorpartners.com
sensorpartners.com