

Accessories

▶ SPECTRO-1-20-UVC-DIL-OFL

Spacer (offline unit)
suitable for mounting on a sensor of type
SPECTRO-1-20-UVC-DIL

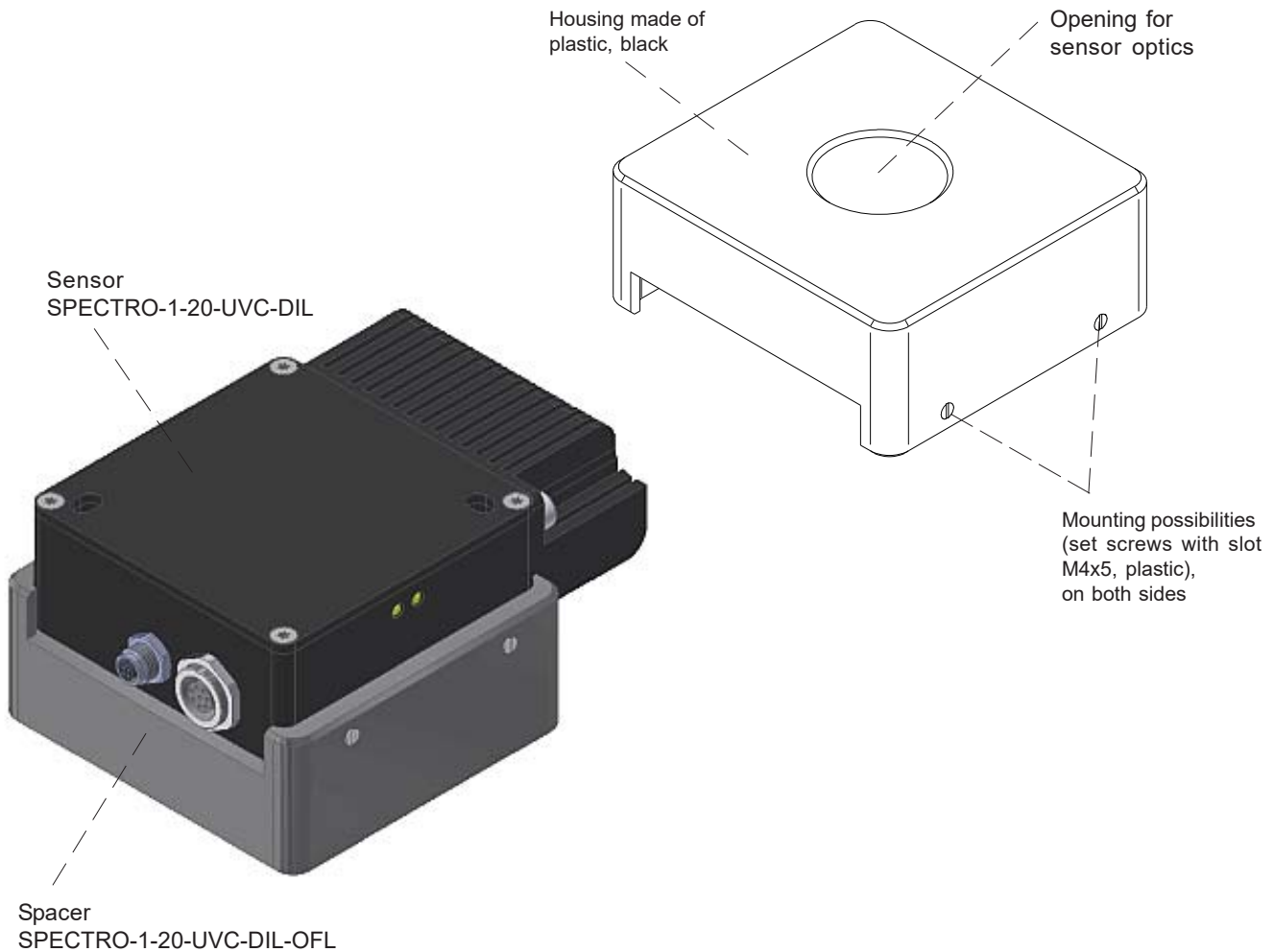
- Allows the use of the sensor SPECTRO-1-20-UVC-DIL as a handheld device
- Reference distance 20 mm with direct contact to the measured object
- Sturdy material (plastic, black)



Design

Product name:

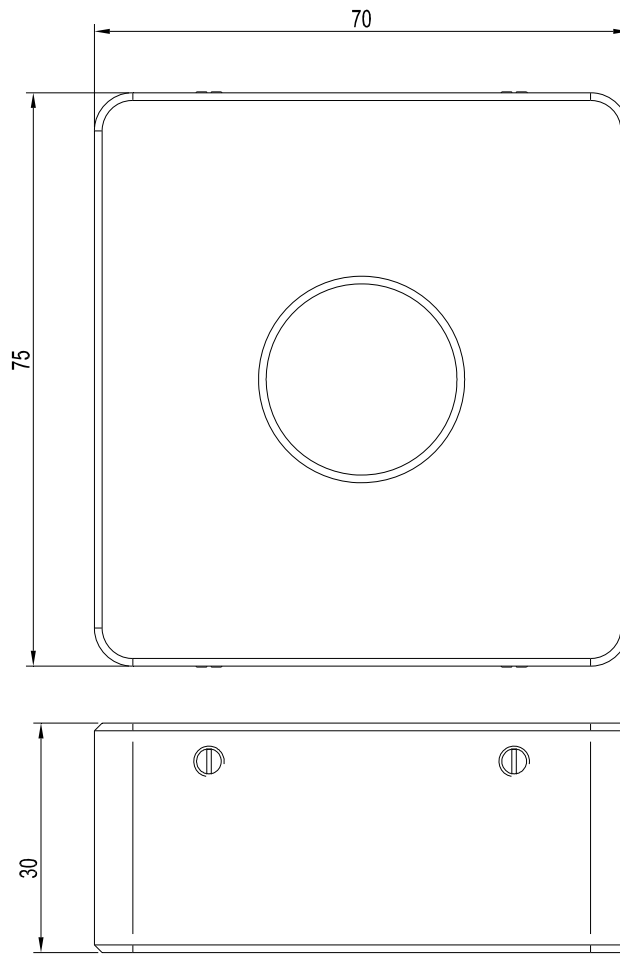
SPECTRO-1-20-UVC-DIL-OFL
Spacer (offline unit)



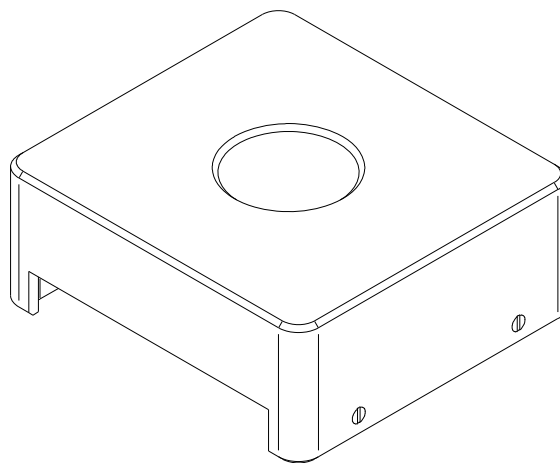


Dimensions

SPECTRO-1-20-UVC-DIL-OFL



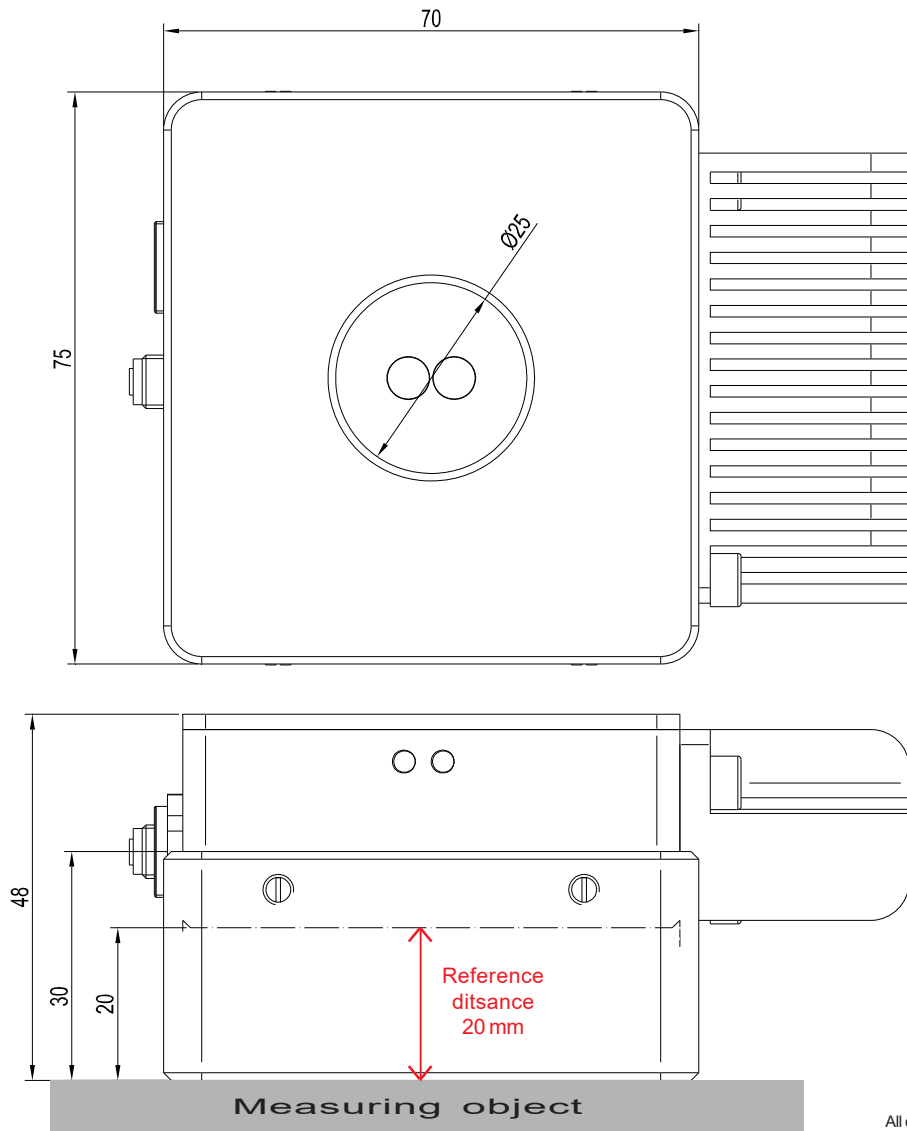
All dimensions in mm





Dimensions

SPECTRO-1-20-UVC-DIL-OFL
 mountend on sensor type
 SPECTRO-1-20-UVC-DIL



All dimensions in mm

