

Heavy-Duty / Flash/Multi-Tone Sounder 441

**Flash/Sounder WM 32 tne 9-60VDC RD/RD**



Part No.: 441.010.55



**MECHANICAL DATA**

|                              |                             |
|------------------------------|-----------------------------|
| Length                       | 165 mm                      |
| Width                        | 169 mm                      |
| Height                       | 132 mm                      |
| Materials                    | PC<br>PC/ABS                |
| Dome colour                  | Red                         |
| Housing colour               | Red                         |
| Protection category          | IP66                        |
| Connection                   | Screw terminals             |
| cross-sectional area minimum | 0,25mm <sup>2</sup> / 24AWG |
| cross-sectional area maximum | 1,50mm <sup>2</sup> / 16AWG |
| Cable entry                  | Screwed cable gland         |
| Cable entry minimum          | d = 8 mm                    |
| Cable entry maximum          | d = 12 mm                   |
| Tension relief               | Present (conforms to VDE)   |
| Type of fixing               | Wall mounting               |
| Working temperature minimum  | -25°C                       |
| Working temperature maximum  | +70°C                       |
| Weight with packaging        | 700 g                       |
| Product weight               | 588 g                       |

**ELECTRICAL DATA**

|                             |                    |
|-----------------------------|--------------------|
| Operating voltage           | 9-60V              |
| Operating voltage type      | DC                 |
| Operating voltage tolerance | +/- 0%             |
| Rated operational voltage   | 24 VDC             |
| Rated operational current   | 230 mA             |
| Protection class            | Protection class 2 |
| Pollution degree            | 3                  |

**OPTICAL DATA**

|                      |                  |
|----------------------|------------------|
| Light source         | Xenon            |
| Light colour         | Red              |
| Optical signal image | Flash            |
| Flash frequency      | 1 Hz             |
| Flash output         | 2 J              |
| Service life optical | 50,000 h maximum |

**ACUSTICAL DATA**

! For additional installation and mounting information, refer to the appropriate user guide at [www.werma.com](http://www.werma.com). This printed copy is for information only and is subject to alteration.

Heavy-Duty / Flash/Multi-Tone Sounder 441

**Flash/Sounder WM 32 tne 9-60VDC RD/RD**

|                             |                 |
|-----------------------------|-----------------|
| Volume (max) at 1m distance | 110,0 dB (A)    |
| Acoustic signal image       | Multi-tone      |
| Number of tones             | 32 tone         |
| Acoustic service life       | 5,000 h minimum |

| <b>APPROVAL DATA</b>        |     |
|-----------------------------|-----|
| Conforms with CE            | Yes |
| WEEE                        | No  |
| Conform with ATEX-directive | No  |
| Conforms with CCC           | No  |
| Conforms with UL            | No  |
| Conforms with FCC           | No  |
| Conforms with IC            | No  |
| EAC certificate available   | Yes |
| Conforms with AS-I          | No  |
| ICAO Certification          | No  |
| Conforms with GL            | No  |
| Conforms with RoHS CN       | No  |
| Conforms with VdS           | No  |

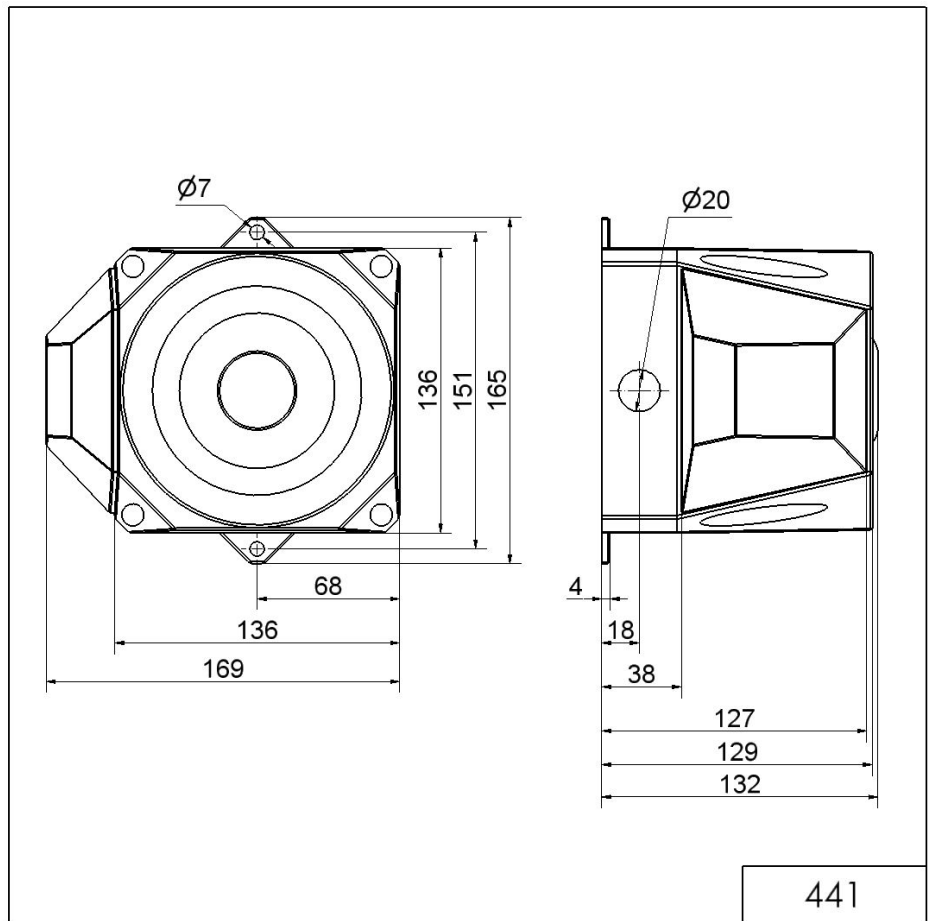


For additional installation and mounting information, refer to the appropriate user guide at [www.werma.com](http://www.werma.com). This printed copy is for information only and is subject to alteration.

Heavy-Duty / Flash/Multi-Tone Sounder 441

**Flash/Sounder WM 32 tne 9-60VDC RD/RD**

**DRAWING**



**!** For additional installation and mounting information, refer to the appropriate user guide at [www.werma.com](http://www.werma.com). This printed copy is for information only and is subject to alteration.