

Horns and Sirens / Heavy-Duty multi-tone sounder

**Multi-t.sounder WM 31 tne 24VDC RD**

Part No.: 129.052.55

**MECHANICAL DATA**

Length	161 mm
Width	143 mm
Height	161 mm
Materials	Aluminium
Housing colour	Red
Protection category	IP66 IP67
Connection	Screw terminals
cross-sectional area maximum	2,50mm <sup>2</sup> / 14AWG
Cable entry	Screwed cable gland
Cable entry minimum	d = 8 mm
Cable entry maximum	d = 12 mm
Tension relief	Present (conforms to VDE)
Type of fixing	Wall mounting
Working temperature minimum	-40°C
Working temperature maximum	+55°C
Weight with packaging	2381 g
Product weight	1940 g

**ELECTRICAL DATA**

Operating voltage	24V
Operating voltage type	DC
Operating voltage tolerance	+/- 10%
Rated operational voltage	24 VDC
Rated operational current	400 mA
Rated inrush current	1.600 mA
Protection class	Protection class 1
Pollution degree	3

**ACUSTICAL DATA**

Volume (max) at 1m distance	110,0 dB (A)
Acoustic signal image	Multi-tone
Number of tones	32 tone
Acoustic service life	5,000 h minimum

**APPROVAL DATA**

Conforms with CE	Yes
WEEE	No
Conform with ATEX-directive	No

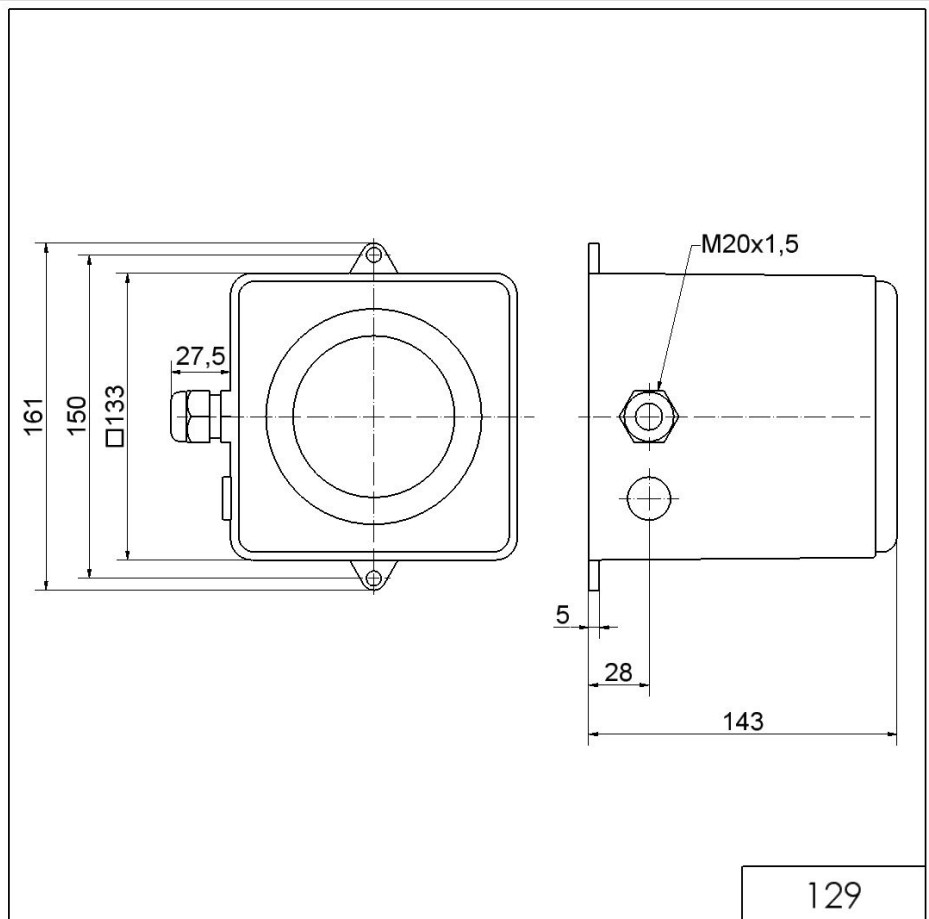


For additional installation and mounting information, refer to the appropriate user guide at [www.werma.com](http://www.werma.com). This printed copy is for information only and is subject to alteration.

Horns and Sirens / Heavy-Duty multi-tone sounder  
**Multi-t.sounder WM 31 tne 24VDC RD**

Conforms with CCC	No
Conforms with UL	No
Conforms with FCC	No
Conforms with IC	No
EAC certificate available	Yes
Conforms with AS-I	No
ICAO Certification	No
Conforms with GL	Yes
Conforms with RoHS CN	No
Conforms with VdS	No

**DRAWING**



**!** For additional installation and mounting information, refer to the appropriate user guide at [www.werma.com](http://www.werma.com). This printed copy is for information only and is subject to alteration.